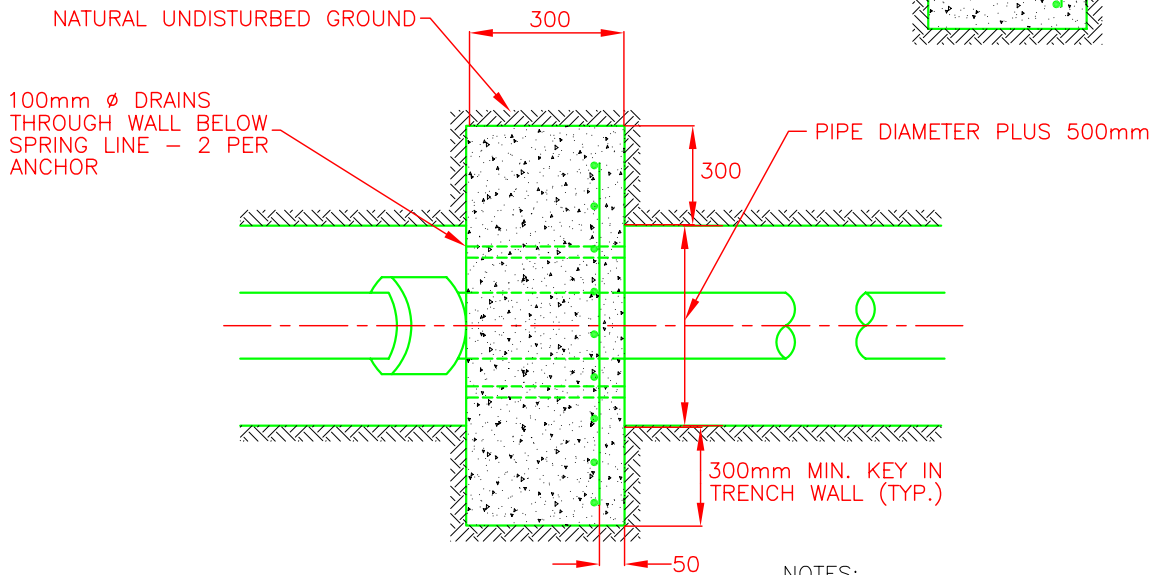


ELEVATION



PLAN

NOTES:

1. CONCRETE SHALL BE 20MPa. 28 DAY STRENGTH. WHERE REQUIRED CONCRETE USED SHALL BE SULPHATE RESISTANT.
2. ANCHORAGE REQUIRED WHERE SLOPE EXCEEDS:
 20 - 35% LOCATE EVERY 11m
 35 - 50% " " 7.3m
 GREATER THAN 50% LOCATE EVERY 5m
3. NO REBAR IS TO BE PLACED WITHIN 150mm OF MAINS.
4. ANCHORS ARE TO BE PLACED AGAINST AND ON THE DOWNHILL SIDE OF THE BELL OF THE PIPE, BUT MUST NOT SURROUND IT.
5. DOWNHILL FACE OF ANCHORS TO BE BEARING ON UNDISTURBED SOIL.

UNITS ARE IN MILLIMETERS
UNLESS OTHERWISE NOTED

Xref C:\data\CAD\DRAWINGS\BLOCKS\citylogo.dwg

2	City	Drawings revised	02/99
1	Usi	Original drawings created	04/96
No.	By	Revisions	Date

**STANDARD
WATER MAIN AND
SEWER MAIN ANCHORS**

Date: February 12/99	Scale: N.T.S	Dwg. No. D-7
Drawn by: Bob Smith	Cad file: c:\..\drawings\standard\By_D7	