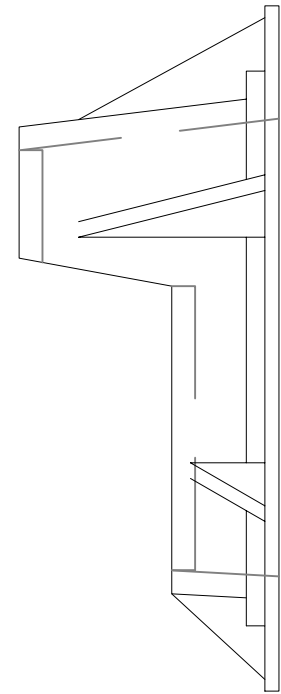
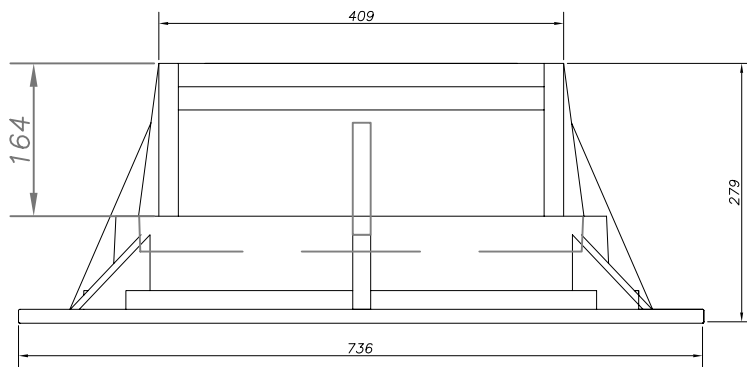


PLAN



SECTION SIDE VIEW



SECTION FRONT VIEW

TROJAN TF-36 OR APPROVED EQUIVALENT

No.	By	Revisions	Date
2	City	Drawings revised	02/99
1	Usi	Original drawings created	04/96

**NON-MOUNTABLE CURB
CATCH BASIN
FRAME DETAILS**

Date: March 05, 1999	Scale: N.T.S	Dwg. No. F-4C
Drawn by: Bob Smith	Cad file: c:\..\drawings\standard\By_F4	