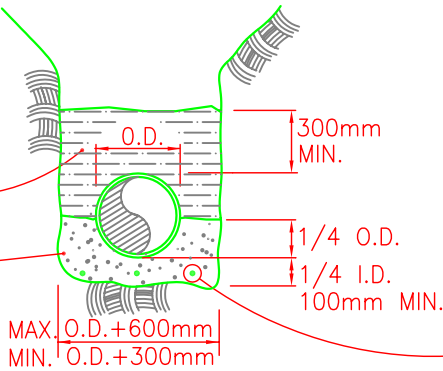


## CLASS "A" BEDDING

PIPE SURROUND AS SPECIFIED.  
PLACE IN MAXIMUM 150mm  
LIFT. COMPACT TO 95% S.P.D.

CONCRETE - 20MPa.  
IN ALKALI SOILS, SULFATE  
RESISTANT CEMENT SHALL  
BE USED

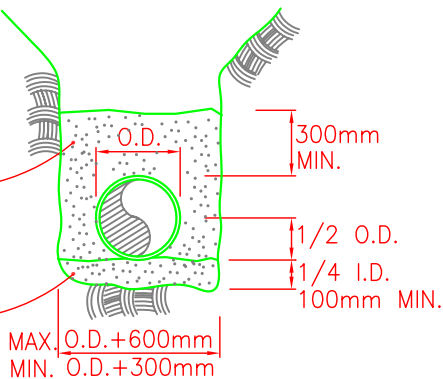


REQUIRED REINFORCEMENT  
AS NOTED ON CONTRACT  
DRAWINGS

## CLASS "B" BEDDING

PIPE SURROUND AS SPECIFIED.  
PLACE IN MAXIMUM 150mm  
LIFT. COMPACT TO 95% S.P.D.

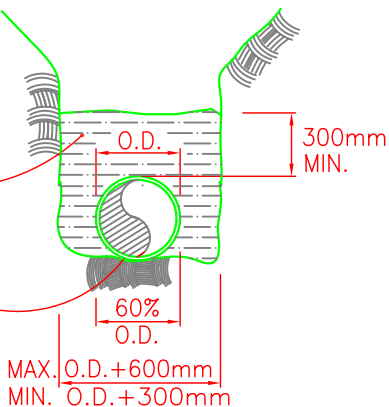
GRANULAR BEDDING MATERIAL  
COMPACTED TO 95% S.P.D.



## CLASS "C" BEDDING

PIPE SURROUND AS SPECIFIED USING  
SELECTED NATIVE MATERIAL AS  
APPROVED (MAXIMUM 20mm). PLACE  
IN MAXIMUM 150mm LIFTS. COMPACT  
TO 95% S.P.D.

BOTTOM OF TRENCH SHAPED TO  
ACCEPT LOWER EXTERIOR OF PIPE



### STANDARD CLASSES OF PIPE BEDDING AND SURROUND WITHIN PIPE ZONE

2	City	Drawings revised	02/99
1	Usi	Original drawings created	04/96
No.	By	Revisions	Date

Date: March 05, 1999	Scale: N.T.S	Dwg. No. D-8
Drawn by: Bob Smith	Cad file: c:\..\drawings\standard\By_D8	